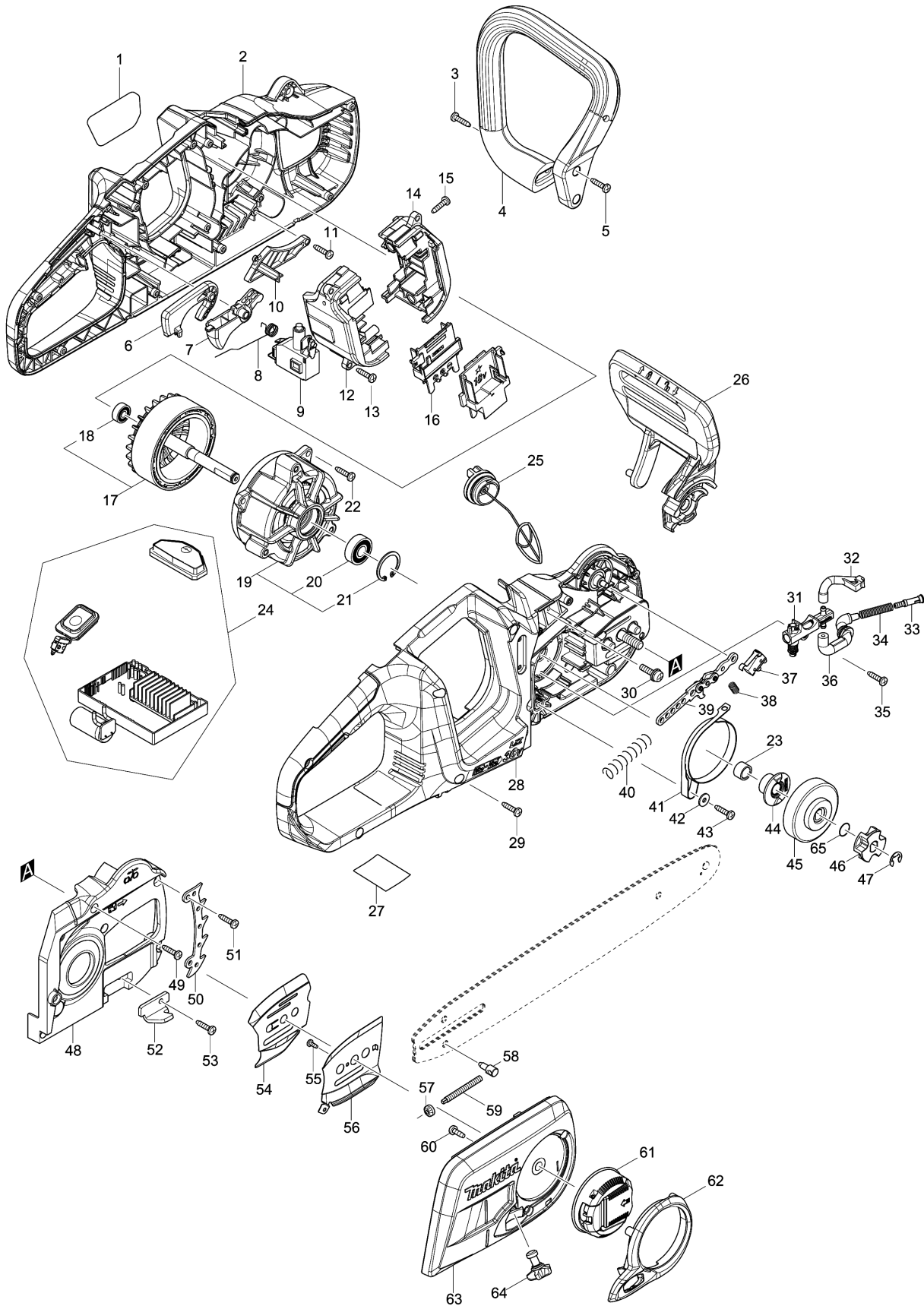


Model No.DUC353 350MM CORDLESS CHAIN SAW





Model No.DUC353 350MM CORDLESS CHAIN SAWER

| Položaj | Številka dela | Opis                              | Sprememba | Količina | New/Old | Opcijsko 1 | Opcijsko 2 | Opomba |
|---------|---------------|-----------------------------------|-----------|----------|---------|------------|------------|--------|
| 001     | 810R17-1      | DUC353 MODEL NO. LABEL            |           | 1        |         |            |            |        |
| 002     | 183F61-2      | HOUSING SET                       |           | 1        | *       |            |            |        |
| C10     | 812D15-7      | CAUTION LABEL                     |           | 1        | *       |            |            |        |
| D10     |               | INC. 28                           |           |          | *       |            |            |        |
| 002-1   | 183F61-2      | HOUSING SET                       | O         | 1        |         |            |            |        |
| C10     | 812D15-7      | CAUTION LABEL                     |           | 1        |         |            |            |        |
| D10     |               | INC. 28                           |           |          |         |            |            |        |
| 003     | 266326-2      | Pločevinasti vijak 4x18<br>UB1103 |           | 2        |         |            |            |        |
| 004     | 457007-1      | FRONT HANDLE                      |           | 1        |         |            |            |        |
| 005     | 266326-2      | Pločevinasti vijak 4x18<br>UB1103 |           | 2        |         |            |            |        |
| 006     | 457013-6      | CATCH LEVER                       |           | 1        |         |            |            |        |
| 007     | 457006-3      | SWITCH LEVER                      |           | 1        |         |            |            |        |
| 008     | 232318-3      | TORSION SPRING 10                 |           | 1        |         |            |            |        |
| 009     | 650781-2      | SWITCH C3JW-6B-P                  |           | 1        |         |            |            |        |
| 010     | 457010-2      | HOUSING L COVER                   |           | 1        |         |            |            |        |
| 011     | 266326-2      | Pločevinasti vijak 4x18<br>UB1103 |           | 1        |         |            |            |        |
| 012     | 183F15-9      | TERMINAL BOX SET                  |           | 1        |         |            |            |        |
| C10     | 263005-3      | Gumi zatič 6                      |           | 4        |         |            |            |        |
| D10     |               | INC. 14                           |           |          |         |            |            |        |
| 013     | 266326-2      | Pločevinasti vijak 4x18<br>UB1103 |           | 4        |         |            |            |        |
| 014     | 183F15-9      | TERMINAL BOX SET                  |           | 1        |         |            |            |        |
| C10     | 263005-3      | Gumi zatič 6                      |           | 4        |         |            |            |        |
| D10     |               | INC. 12                           |           |          |         |            |            |        |
| 015     | 266326-2      | Pločevinasti vijak 4x18<br>UB1103 |           | 2        |         |            |            |        |
| 016     | 643874-2      | TERMINAL                          |           | 2        |         |            |            |        |
| 017     | 519411-3      | ROTOR ASS'Y                       |           | 1        |         |            |            |        |
| D10     |               | INC. 18                           |           |          |         |            |            |        |
| 018     | 210028-2      | Kroglični ležaj 606ZZ             |           | 1        |         |            |            |        |
| 019     | 592H45-5      | STATOR ASS'Y                      |           | 1        |         |            |            |        |
| D10     |               | INC. 20,21                        |           |          |         |            |            |        |
| 020     | 210059-1      | Kroglični ležaj 6000DDW<br>GA9050 |           | 1        |         |            |            |        |
| 021     | 962105-3      | Zaščitni obroč R-26<br>GA4030     |           | 1        |         |            |            |        |
| 022     | 266326-2      | Pločevinasti vijak 4x18<br>UB1103 |           | 3        |         |            |            |        |
| 023     | 257402-3      | SLEEVE 10                         |           | 1        |         |            |            |        |
| 024     | 144254-0      | CONTROLLER COMPLETE               |           | 1        |         |            |            |        |
| 025     | 168399-0      | Pokrovček rezervoarja             |           | 1        | *       |            |            |        |
| 025-1   | 168508-1      | TANK CAP COMPLETE                 | O         | 1        |         |            |            |        |
| C10     | 213355-6      | O-RING 25                         |           | 1        |         |            |            |        |
| 026     | 457022-5      | FRONT HAND GUARD                  |           | 1        | *       |            |            |        |

Please order the parts with part number.

Print Date 4/11/2020

Model No.DUC353 350MM CORDLESS CHAIN SAWER

| Položaj | Številka dela | Opis                                     | Sprememba | Količina | New/Old | Opcijsko 1 | Opcijsko 2 | Opomba |
|---------|---------------|--|-----------|----------|---------|------------|------------|--------|
| 026-1   | 458418-3      | FRONT HAND GUARD                         | <         | 1        |         |            |            |        |
| 027     | 852V64-0      | DUC353 NAME PLATE                        |           | 1        |         |            |            |        |
| 028     | 183F61-2      | HOUSING SET                              |           | 1        | *       |            |            |        |
| C10     | 812D15-7      | CAUTION LABEL                            |           | 1        | *       |            |            |        |
| D10     |               | INC. 2                                   |           |          | *       |            |            |        |
| 028-1   | 183F61-2      | HOUSING SET                              | O         | 1        |         |            |            |        |
| C10     | 812D15-7      | CAUTION LABEL                            |           | 1        |         |            |            |        |
| D10     |               | INC. 2                                   |           |          |         |            |            |        |
| 029     | 266326-2      | Pločevinasti vijak 4x18<br>UB1103        |           | 8        |         |            |            |        |
| 030     | 911233-1      | Vijak z nizko cilindrično<br>glavo M5x20 |           | 3        |         |            |            |        |
| 031     | 142156-4      | OIL PUMP COMPLETE                        |           | 1        |         |            |            |        |
| 032     | 424904-6      | CONNECTOR B                              |           | 1        |         |            |            |        |
| 033     | 452666-6      | Ventil mazalne cevi                      |           | 1        |         |            |            |        |
| 034     | 234207-8      | Tlačna spiralna vzmet 6                  |           | 1        |         |            |            |        |
| 035     | 266326-2      | Pločevinasti vijak 4x18<br>UB1103        |           | 1        |         |            |            |        |
| 036     | 424903-8      | CONNECTOR A                              |           | 1        |         |            |            |        |
| 037     | 632H47-0      | SWITCH UNIT                              |           | 1        | *       |            |            |        |
| 037-1   | 632H47-0      | SWITCH UNIT                              | S         | 1        |         |            |            |        |
| 038     | 231298-0      | Tlačna spiralna vzmet 6                  |           | 1        |         |            |            |        |
| 039     | 163448-8      | LINKPLATE COMPLETE                       |           | 1        |         |            |            |        |
| 040     | 232319-1      | COMPRESSION SPRING 9                     |           | 1        |         |            |            |        |
| 041     | 345454-7      | Zavorni trak pogonskega<br>bobna         |           | 1        |         |            |            |        |
| 042     | 267195-4      | Ploska podložka 4                        |           | 1        | *       |            |            |        |
| 043     | 266326-2      | Pločevinasti vijak 4x18<br>UB1103        |           | 1        | *       |            |            |        |
| 043-1   | 265620-9      | TAPPING SCREW FLANGE<br>4X18             | S         | 1        |         |            |            |        |
| 044     | 221427-3      | WORM GEAR                                |           | 1        |         |            |            |        |
| 045     | 161526-8      | BRAKE DRUM COMPLETE                      |           | 1        | *       |            |            |        |
| 045-1   | 161891-5      | BRAKE DRUM COMPLETE                      | O         | 1        |         |            |            |        |
| 046     | 221464-7      | SPROCKET 6                               |           | 1        |         |            |            |        |
| 047     | 961013-5      | Zaporno tesnilo E-7                      |           | 1        |         |            |            |        |
| 048     | 457004-7      | HOUSING R COVER                          |           | 1        |         |            |            |        |
| 049     | 266326-2      | Pločevinasti vijak 4x18<br>UB1103        |           | 4        |         |            |            |        |
| 050     | 347078-5      | SPIKE BUMPER                             |           | 1        |         |            |            |        |
| 051     | 266326-2      | Pločevinasti vijak 4x18<br>UB1103        |           | 2        |         |            |            |        |
| 052     | 347079-3      | CHAIN CATCHER                            |           | 1        |         |            |            |        |
| 053     | 266326-2      | Pločevinasti vijak 4x18<br>UB1103        |           | 1        |         |            |            |        |
| 054     | 346694-0      | GUIDE PLATE ES                           |           | 1        |         |            |            |        |
| 055     | 266166-8      | Pločevinasti vijak CT 3x8                |           | 1        |         |            |            |        |

Model No.DUC353 350MM CORDLESS CHAIN SAWER

| Položaj | Številka dela | Opis                              | Sprememba | Količina | New/Old | Opcijsko 1 | Opcijsko 2 | Opomba |
|---------|---------------|-----------------------------------|-----------|----------|---------|------------|------------|--------|
| 056     | 346699-0      | GUIDE PLATE CS                    |           | 1        |         |            |            |        |
| 057     | 227496-2      | Ravni stožčasti zobnik 14 UC3020A |           | 1        |         |            |            |        |
| 058     | 326310-0      | ADJUST PIN                        |           | 1        |         |            |            |        |
| 059     | 326312-6      | ADJUST SCREW                      |           | 1        |         |            |            |        |
| 060     | 266427-6      | Samovrezni vijak 4x12             |           | 3        |         |            |            |        |
| 061     | 142235-8      | NUT COMPLETE                      |           | 1        |         |            |            |        |
| 062     | 454519-5      | NUT COVER                         |           | 1        |         |            |            |        |
| 063     | 457000-5      | SPROCKET COVER                    |           | 1        |         |            |            |        |
| 064     | 142288-7      | WHEEL COMPLETE                    |           | 1        |         |            |            |        |
| C10     | 213011-8      | O Tesnilo 7 LS1216                |           | 1        |         |            |            |        |
| 065     | 213060-5      | O RING 10                         |           | 1        |         |            |            |        |
| A01     | 182229-1      | Ojle za verigo, 100ml             |           | 1        | *       |            |            |        |
| A01-1   | 199897-3      | OIL VESSEL SET                    | <         | 1        |         |            |            |        |
| A02     | 165246-6      | GUIDE BAR                         |           | 1        | *       |            |            |        |
| A02-1   | 165246-6      | GUIDE BAR                         | O         | 1        |         |            |            |        |
| A03     | 419288-5      | Ščitnik za meč 30 cm              |           | 1        |         |            |            |        |
| A04     | 196741-5      | SAW CHAIN SET                     |           | 1        |         |            |            |        |

Please order the parts with part number.

Print Date 4/11/2020